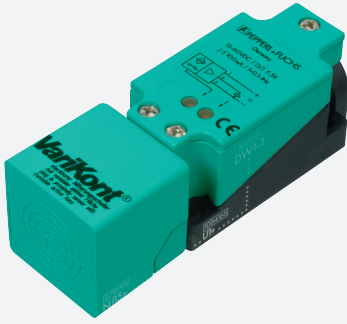


# Inductive rotation speed monitor

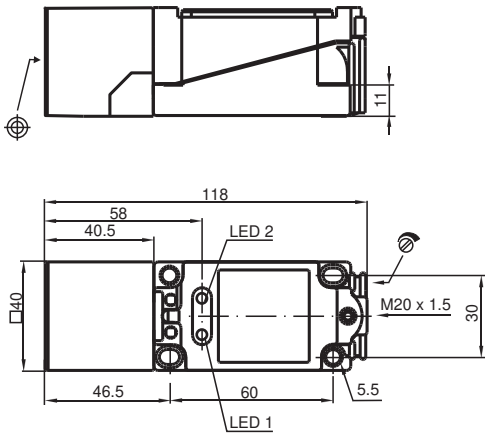
## NJ15+U1+DW1-1



- Rotational speed controller
- 15 mm flush
- Start-up override time = approx. 30 s



### Dimensions



### Technical Data

#### General specifications

|                            |       |                           |
|----------------------------|-------|---------------------------|
| Switching function         |       | Normally open (NO)        |
| Output type                |       | PNP                       |
| Frequency range            |       | 0.1 ... 1 Hz , adjustable |
| Rated operating distance   | $s_n$ | 15 mm                     |
| Installation               |       | flush                     |
| Output polarity            |       | DC                        |
| Assured operating distance | $s_a$ | 0 ... 12.15 mm            |
| Reduction factor $r_{Al}$  |       | 0.4                       |
| Reduction factor $r_{Cu}$  |       | 0.3                       |
| Reduction factor $r_{304}$ |       | 0.85                      |
| Output type                |       | 3-wire                    |

#### Nominal ratings

|                   |       |                |
|-------------------|-------|----------------|
| Operating voltage | $U_B$ | 15 ... 60 V DC |
|-------------------|-------|----------------|

Release date: 2022-05-18 Date of issue: 2022-05-18 Filename: 015943\_eng.pdf

Refer to "General Notes Relating to Pepperl+Fuchs Product Information".

Pepperl+Fuchs Group  
www.pepperl-fuchs.com

USA: +1 330 486 0001  
fa-info@us.pepperl-fuchs.com

Germany: +49 621 776 1111  
fa-info@de.pepperl-fuchs.com

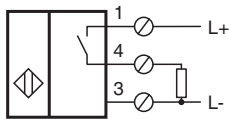
Singapore: +65 6779 9091  
fa-info@sg.pepperl-fuchs.com

**PF** PEPPERL+FUCHS



## Technical Data

|   |       |  |
|---|-------|--|
| Reverse polarity protection                     |       | reverse polarity protected   |
| Short-circuit protection                        |       | pulsing  |
| Voltage drop                                    | $U_d$ | $\leq 2 \text{ V}$   |
| Operating current                               | $I_L$ | 0 ... 100 mA   |
| No-load supply current                          | $I_0$ | $\leq 25 \text{ mA}$   |
| Switching state indicator                       |       | LED 1: yellow  |
| Damping indicator                               |       | LED 2: yellow  |
| <b>Functional safety related parameters</b>     |       |  |
| MTTF <sub>d</sub>                               |       | 820 a  |
| Mission Time (T <sub>M</sub> )                  |       | 20 a   |
| Diagnostic Coverage (DC)                        |       | 0 %  |
| <b>Compliance with standards and directives</b> |       |  |
| Standard conformity                             |       |  |
| Standards                                       |       | EN 60947-5-2:2007<br>IEC 60947-5-2:2007  |
| <b>Approvals and certificates</b>               |       |  |
| UL approval                                     |       | cULus Listed, General Purpose  |
| CSA approval                                    |       | cCSAus Listed, General Purpose   |
| CCC approval                                    |       | Certified by China Compulsory Certification (CCC)  |
| <b>Ambient conditions</b>                       |       |  |
| Ambient temperature                             |       | -25 ... 70 °C (-13 ... 158 °F)   |
| <b>Mechanical specifications</b>                |       |  |
| Connection type                                 |       | screw terminals  |
| Information for connection                      |       | A maximum of two conductors with the same core cross section may be mounted on one terminal connection!<br>tightening torque 1.2 Nm + 10 % |
| Core cross section                              |       | up to 2.5 mm <sup>2</sup>  |
| Minimum core cross-section                      |       | without wire end ferrule 0.5 mm <sup>2</sup> , with connector sleeves 0.34 mm <sup>2</sup>   |
| Maximum core cross-section                      |       | without wire end ferrule 2.5 mm <sup>2</sup> , with connector sleeves 1.5 mm <sup>2</sup>  |
| Housing material                                |       | PBT  |
| Sensing face                                    |       | PBT  |
| Degree of protection                            |       | IP67   |

## Connection



## Accessories

|   |                    |  |
|---|--------------------|--|
|  | <b>MH 04-2681F</b> | Mounting aid for VariKont, +U1+ and +U9* |
|  | <b>V1-M20-80</b>   | Receptacles, M12/M20; plastic version    |